

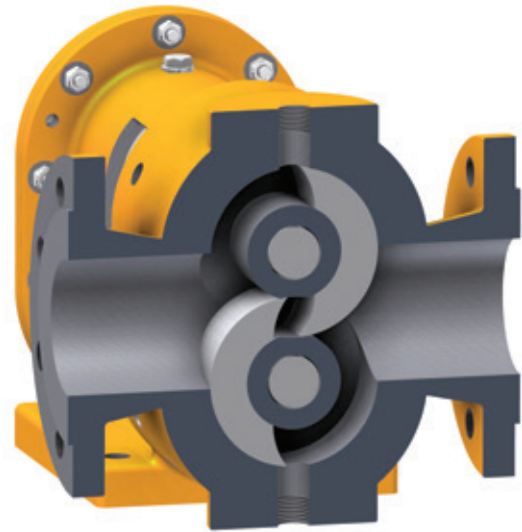
KE & KD BLUE SERIES

ROTARY LOBE PUMP

FEATURES

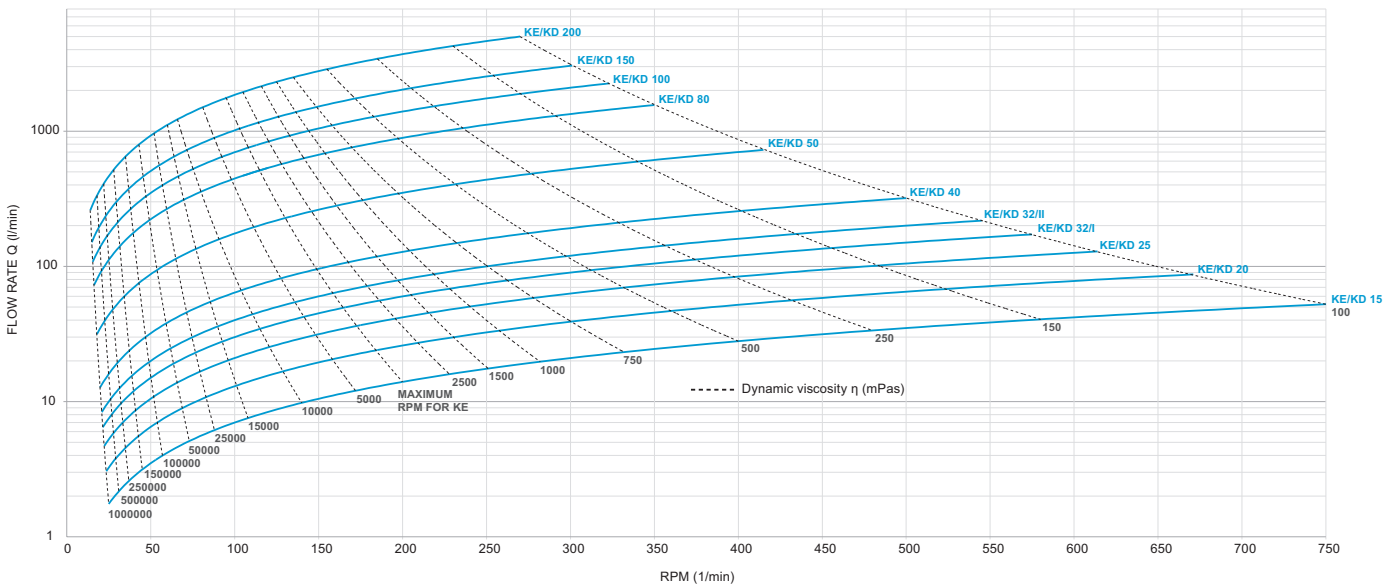
- **Pressure:** 40 bar
- **Suction lift:** 8 m
- **Flow rate:** 1 to 5,000 l/min (0.06 to 300 m³/h)
- **RPM:** 750 RPM*
- **Efficiency:** 75 to 92%
- **Particle size:** max. 80 mm
- **Viscosity:** 1 to 3,400,000 mPas
- **Temperature:** -60 to 450°C

*Higher values upon request



SIZES AND FLOW RATES

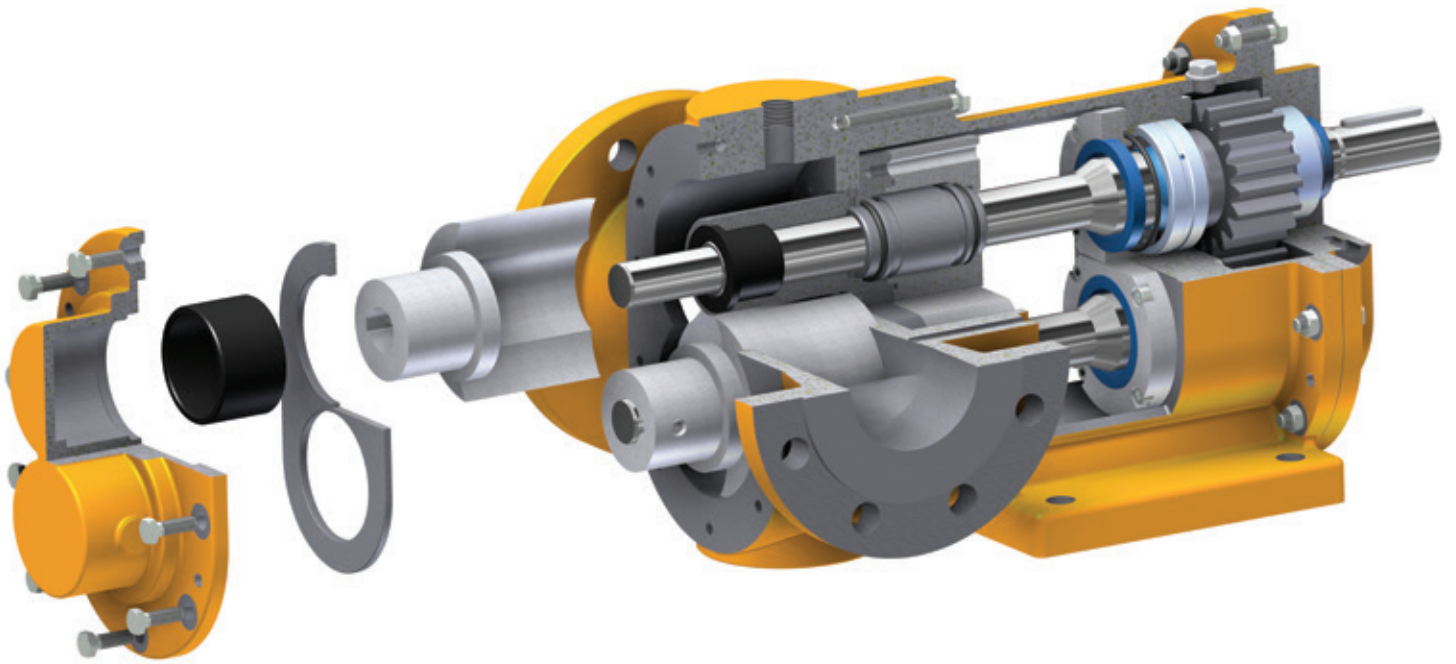
Q-n- η -flow rate / viscosity



Pump size	Volume l/rev	Flow rates*															
		n = 25 min ⁻¹		n = 50 min ⁻¹		n = 100 min ⁻¹		n = 150 min ⁻¹		n = 250 min ⁻¹		n = 400 min ⁻¹		n = 600 min ⁻¹		n = 750 min ⁻¹	
		l/min	m ³ /h	l/min	m ³ /h	l/min	m ³ /h	l/min	m ³ /h	l/min	m ³ /h	l/min	m ³ /h	l/min	m ³ /h	l/min	m ³ /h
15	0.07	1.8	0.1	3.5	0.2	7	0.4	10.5	0.6	17.5	1.1	28	1.7	42	2.5	53	3.2
20	0.13	3.3	0.2	6.5	0.4	13	0.8	19.5	1.2	32.5	2	52	3.1	78	4.7		
25	0.21	5.2	0.3	10.5	0.6	21	1.3	31.5	1.9	52.5	3.2	84	5	126	7.6		
32/I	0.3	7.5	0.5	15	0.9	30	1.8	45	2.7	75	4.5	120	7.2				
32/II	0.4	10.0	0.6	20	1.2	40	2.4	60	3.6	100	6	160	9.6				
40	0.64	16.0	1	32	1.9	64	3.8	96	5.8	160	9.6	256	15.4				
50	1.75	43.8	2.6	87.5	5.3	175	10.5	263	15.8	438	26.3	700	42				
80	4.46	112	6.7	223	13.4	446	27	669	40.1	1115	67						
100	6.98	175	10.5	349	20.9	698	42	1047	62.8	1745	105						
150	10.14	254	15.2	507	30.4	1014	61	1521	91.3	2535	152						
200	18.53	463	28	927	56	1853	111	2780	167	4633	278						

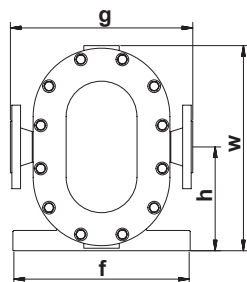
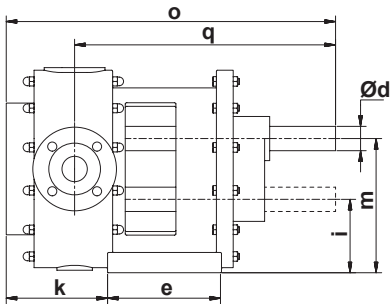
*The exact flow rate depends on the rotation speed (RPM), liquid viscosity, working pressure, pressure head and characteristics of the working liquid.

■ = only KD

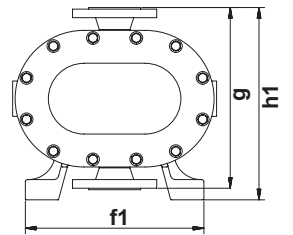
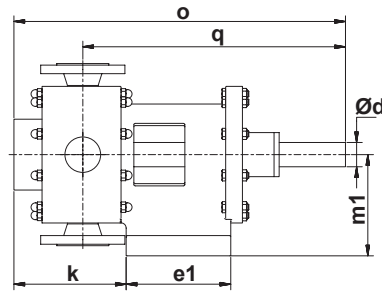


DIMENSIONS

KEH/KDH



KEV/KDV



Pump size	15	20	25	32/I	32/II	40	50	80	100	150	200
Ød	28	28	28	28	28	32	48	55	60	75	90
e	195	195	195	195	195	194	225	264	290	460	515
e1	195	195	195	195	195	140	205	240	290	460	490
f	180	180	180	180	180	240	350	400	430	550	550
f1	180	180	180	180	180	240	350	380	430	550	540
g	180	166	180	190	190	300	360	450	550	600	700
h	128	128	128	128	128	150	205	260	313	365	420
h1	210	203	210	215	215	330	380	485	558	630	730
k	103	108	123	148	168	173	210	256	310	345	465
m	166	166	166	166	166	190	265	335	400	470	540
m1	120	120	120	120	120	180	200	260	283	330	380
i	90	90	90	90	90	110	145	185	225	260	300
o	465	470	485	510	530	540	660	760	875	1140	1310
q	382	385	392	405	415	420	515	583	657	900	992
w	251	251	251	251	251	295	405	510	620	710	815
DN	15	20	25	32	32	40	50	80	100	150	200

in mm, subject to modifications