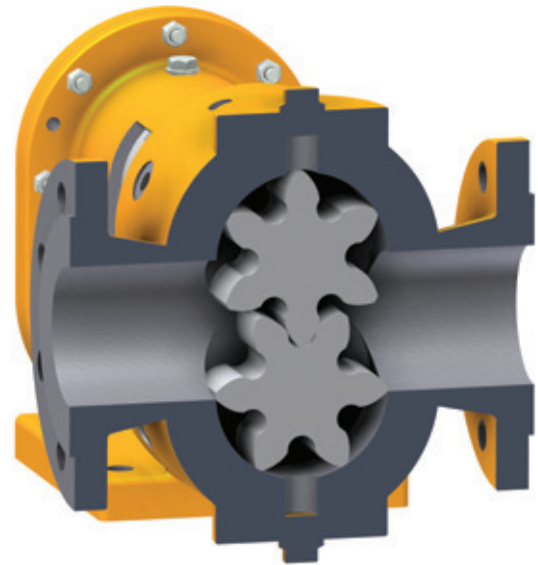


KM BLUE SERIES

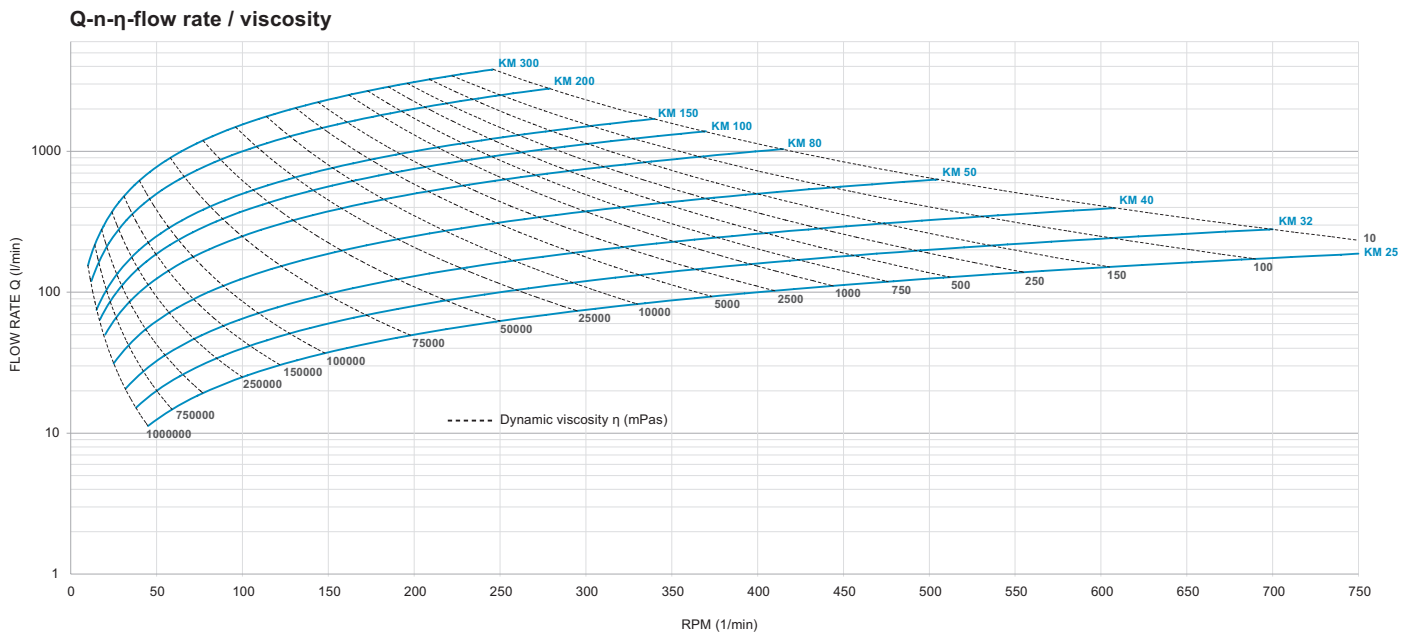
MULTI-WING LOBE PUMP

FEATURES

- **Pressure:** 70 bar
- **Suction lift:** 6 m
- **Flow rate:** 2 to 3,875 l/min (0.15 to 233 m³/h)
- **RPM:** 750 RPM
- **Efficiency:** 75 to 92%
- **Particle size:** max. 1 mm
- **Viscosity:** 1 to 3,400,000 mPas
- **Temperature:** -60 to 450°C

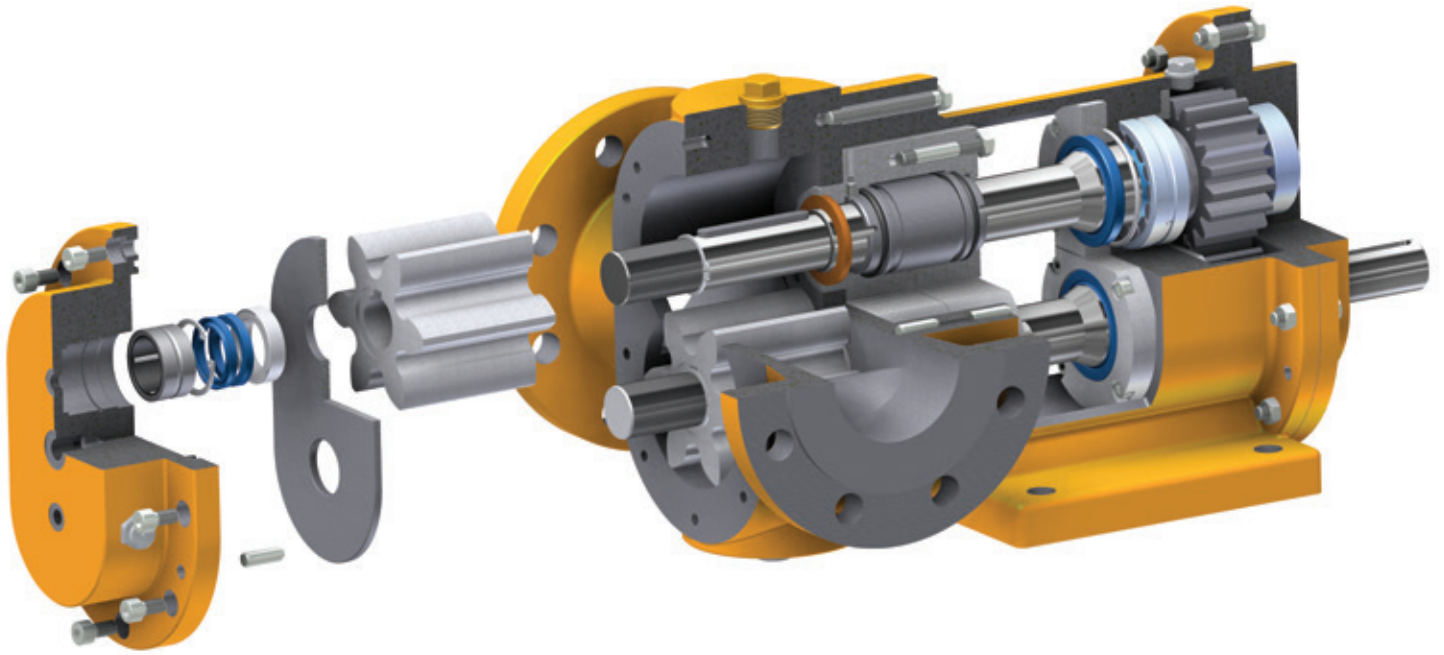


SIZES AND FLOW RATES



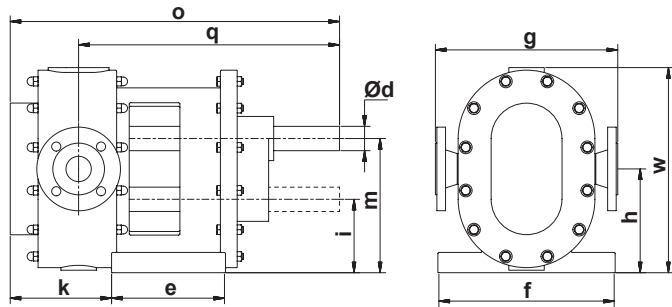
Pump size	Volume l/rev	Flow rates*															
		n = 25 min ⁻¹		n = 50 min ⁻¹		n = 100 min ⁻¹		n = 150 min ⁻¹		n = 250 min ⁻¹		n = 400 min ⁻¹		n = 600 min ⁻¹		n = 750 min ⁻¹	
		l/min	m ³ /h	l/min	m ³ /h	l/min	m ³ /h	l/min	m ³ /h	l/min	m ³ /h	l/min	m ³ /h	l/min	m ³ /h	l/min	m ³ /h
25	0.25	6.3	0.4	12.5	0.8	25	1.5	37.5	2.3	62.5	3.8	100	6	150	9	187.5	11.3
32	0.4	10	0.6	20	1.2	40	2.4	60	3.6	100	6	160	9.6	240	14.4		
40	0.65	16.3	1	32.5	2	65	3.9	97.5	5.9	162.5	9.8	260	15.6	390	23.4		
50	1.25	31.3	1.9	62.5	3.8	125	7.5	187.5	11.3	312.5	18.8	500	30				
80	2.5	62	3.8	125	7.5	250	15	375	22.5	625	37.5	1000	60				
100	3.75	94	5.6	187.5	11.3	375	22.5	562.5	34	937.5	56						
150	5	125	7.5	250	15	500	30	750	45	1250	75						
200	10	250	15	500	30	1000	60	1500	90	2500	150						
300	15.5	387.5	23.25	775	46.5	1550	93	2325	140	3875	232						

*The exact flow rate depends on the rotation speed (RPM), liquid viscosity, working pressure, pressure head and characteristics of the working liquid.

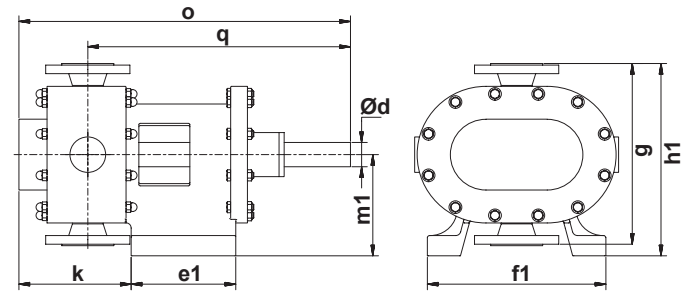


DIMENSIONS

KMH



KMV



Pump size	25	32	40	50	80	100	150	200
Ød	28	28	32	48	55	60	90	90
e	195	195	194	225	225	264	290	290
e1	195	195	140	205	205	240	290	290
f	180	180	240	350	340	400	430	430
f1	180	180	240	350	360	380	430	430
g	255	255	300	360	450	450	550	550
h	128	128	150	205	225	260	313	313
h1	248	248	330	380	445	485	558	558
k	140	175	176	210	245	251	275	385
m	164	164	192	265	297	341	403	403
m1	120	120	180	200	240	260	283	283
i	92	92	108	145	153	179	223	223
o	505	538	543	660	697	768	835	950
q	400	415	420	515	537	596	647	720
w	251	251	295	405	445	510	620	620
DN	25	32	40	50	80	100	150	200

in mm, subject to modifications